



THROUGH HOLE TAB- UP RJ-45 JACK WITH 10/100/1000 MAGNETIC

FEATURES

- 1X1 Tab-UP, 0.85" & 1" long with internal magnetics for 10/100/1000 Base-TX
- 350 μ H minimum OCL with 8mA bias current
- Internal magnetics options available
- Minimum 1500Vrms isolation
- Recognized by UL 60950-1



ELECTRICAL SPECIFICATIONS @25°C-Operating temperature 0°C TO 70°C

Part Number	Turns Ratio		Insertion Loss (dB MAX)	Return Loss (dB MIN @100 Ω ±15 Ω)				Differential to Common Mode Rejection (dB MIN)			Cross talk (dB MIN)			Hipot (VRMS)
	TX	RX		0.3-100MHz	1-30 MHz	40 MHz	50 MHz	60-100 MHz	30 MHz	60 MHz	100 MHz	30 MHz	60 MHz	
46F-1301GDD2	1CT:1CT	1CT:1CT	-1.2	-16	-13.5	-11.5	-10	-35	-32	-30	-40	-36	-30	1500
46F-1302GYD2	1CT:1CT	1CT:1CT	-1.2	-16	-13.5	-11.5	-10	-35	-32	-30	-40	-36	-30	1500
46F-1301GYD2	1CT:1CT	1CT:1CT	-1.2	-16	-13.5	-11.5	-10	-35	-32	-30	-40	-36	-30	1500
46F-1303GYD2	1CT:1CT	1CT:1CT	-1.2	-16	-13.5	-11.5	-10	-35	-32	-30	-40	-36	-30	1500
47F-1302GYD2	1CT:1CT	1CT:1CT	-1.1	-15	-15	-15	-12	-35	-32	-30	-35	-26	-24	1500
46F-1201YGD2	1CT:1	1CT:1CT	-1.2	-14	-14	-14	-10	-35	-32	-30	-40	-36	-30	1500
46F-1202YGD2	1CT:1CT	1CT:1CT	-1.2	-14	-14	-14	-10	-35	-32	-30	-40	-36	-30	1500
46F-1203GGD2	1CT:1CT	1CT:1CT	-1.2	-14	-14	-14	-10	-35	-32	-30	-40	-36	-30	1500
Part Number	Turns Ratio		Insertion Loss (dB MAX)	Return Loss (dB MIN @100 Ω ±15 Ω)				Common Mode Rejection (dB MIN)			Cross talk (dB TYP)	Hipot (VRMS)		
	TX	RX		0.1-100MHz	1-30 MHz	40 MHz	50 MHz	60-80 MHz	32 MHz	62 MHz			100 MHz	
46F-1403GYD2	1CT:1CT	1CT:1CT	-1.2	-16	-14	-13	-12	-42	-37	-33	-33	1000		

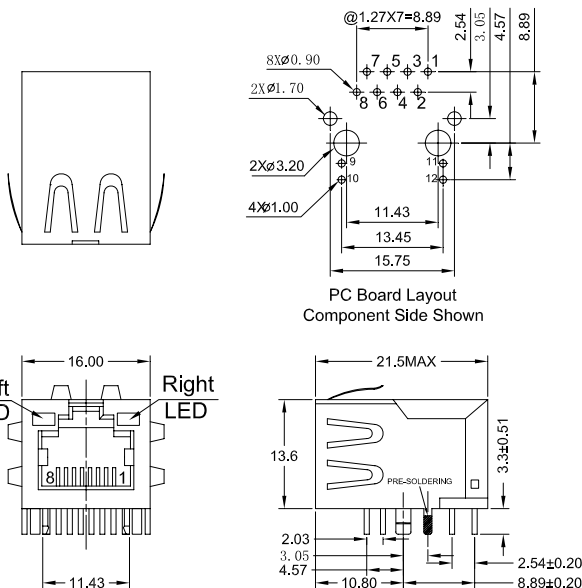
Part Number:

46F - 1301 GDD NW 2 NL
 A B C D E F

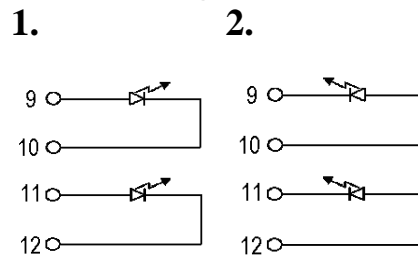
- A:Series
- B:Schematics
- C:Led
- D:Mechanical
- E:Gold Plating:1=3u",2=6u",3=15u",4=30u",5=50u"
- F:RoHS Version

MARKINGS AND DIMENSION

46F-12XX



LED Configuration:



Standard LED	Wavelength	Forward* V(MAX)	(TYP)
Yellow	585 nm	2.5 V	2.1 V
Green	565 nm	2.5 V	2.2 V

* With a forward current of 20 mA

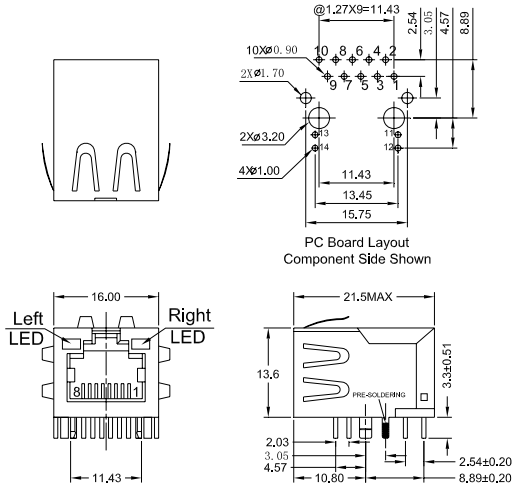


THROUGH HOLE TAB- UP RJ-45 JACK WITH 10/100/1000 MAGNETIC

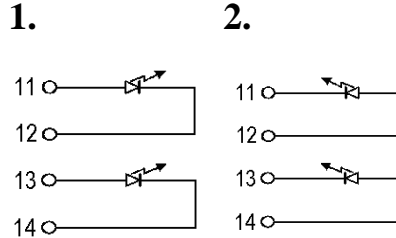
UNIT:mm Unless otherwise specified, all tolerances are ± 0.25

MARKINGS AND DIMENSION

46F-13XX



LED Configuration:

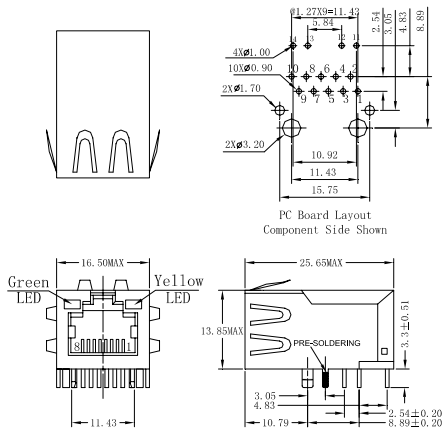


Standard LED	Wavelength	Forward* V(MAX)	(TYP)
Yellow	585 nm	2.5 V	2.1 V
Green	565 nm	2.5 V	2.2 V

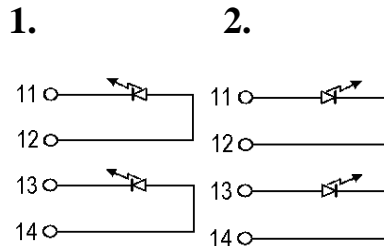
* With a forward current of 20 mA

UNIT:mm Unless otherwise specified, all tolerances are ± 0.25

47F-13XX



LED Configuration:

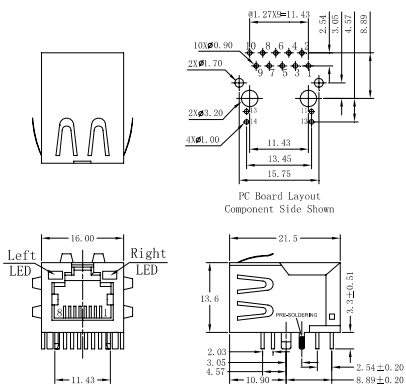


Standard LED	Wavelength	Forward* V(MAX)	(TYP)
Yellow	585 nm	2.5 V	2.1 V
Green	565 nm	2.5 V	2.2 V

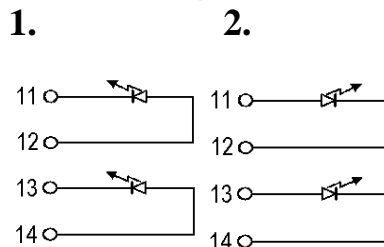
* With a forward current of 20 mA

UNIT:mm Unless otherwise specified, all tolerances are ± 0.25

47F-14XX



LED Configuration:



Standard LED	Wavelength	Forward* V(MAX)	(TYP)
Yellow	585 nm	2.5 V	2.1 V
Green	565 nm	2.5 V	2.2 V

* With a forward current of 20 mA



UNIT:mm Unless otherwise specified, all tolerances are ± 0.25

MATERIALS

1.Housing Material:

MATERIAL:NYLON GF (Fr50) UL94V-0
STANDARD COLOR:BLACK

2.Insert Material:

MATERIAL:Phos-Bronze C5210 EH--0.35mm Thickness

Insert -PBT GF UL94V-0

- 1.PLATING(1) NICKEL
- 2.PLATING(2) 100%Sn
- 3.PLATING(3) GOLD (3u" ~50u")

3.Plate Material: PBT GF UL 94V-0

4.Contact pin Material:

MATERIAL: Phos-Bronze C5191--0.35mm Thickness

- 1.PLATING(1) NICKEL
- 2.PLATING(2) 100%Sn

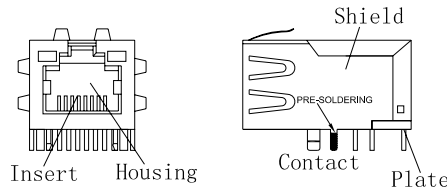
5.Shielding Material:

BRASS C2680 PLATING NICKEL

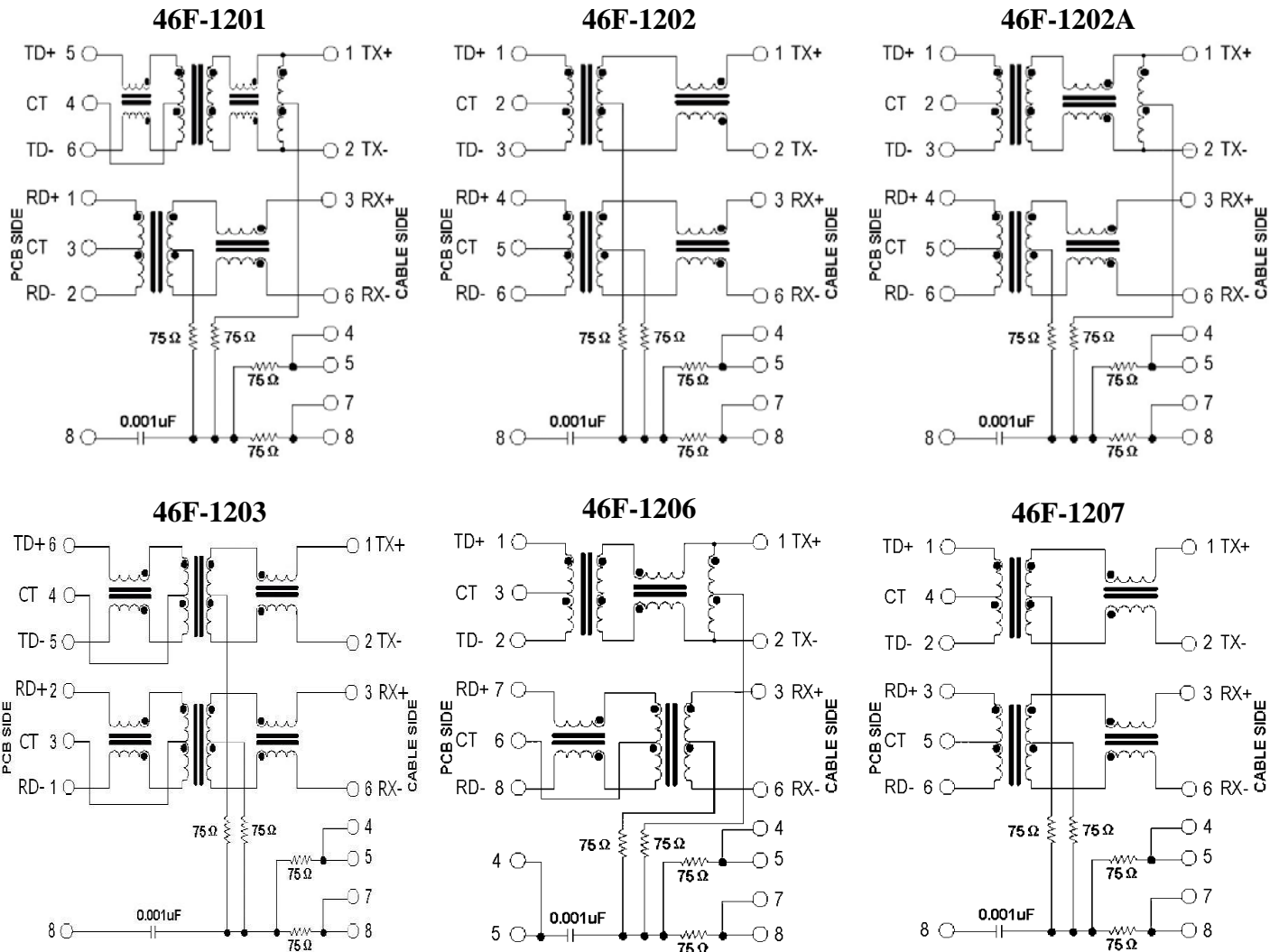
6.Operation Life : 750 Cycles Min.

7.Environmental

- 1.Storage Temp:-40°C TO +85°C
- 2.Operating Temp: 0°C TO +70°C.
- 3.MATES WITH MODULAR PLUG CONFORMING TO FCC PART 68,SUBPARTF.

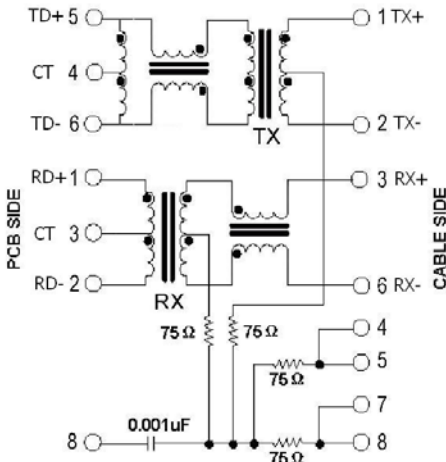


SCHEMATICS

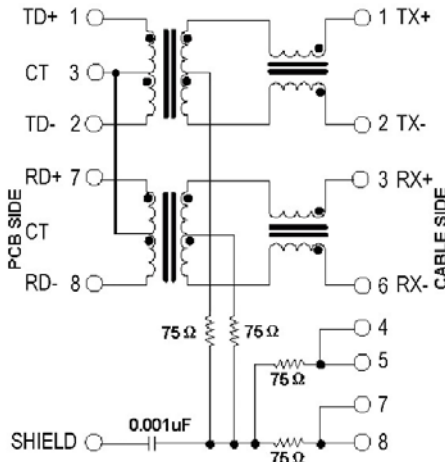




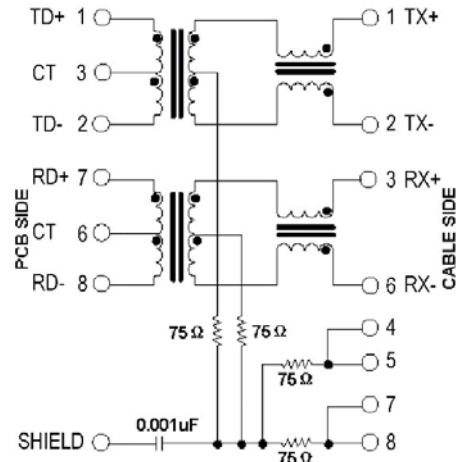
46F-1208



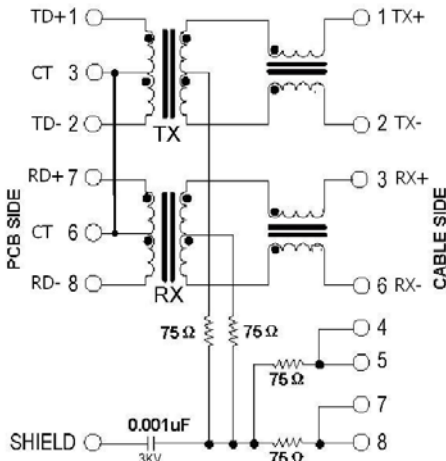
46F-1209



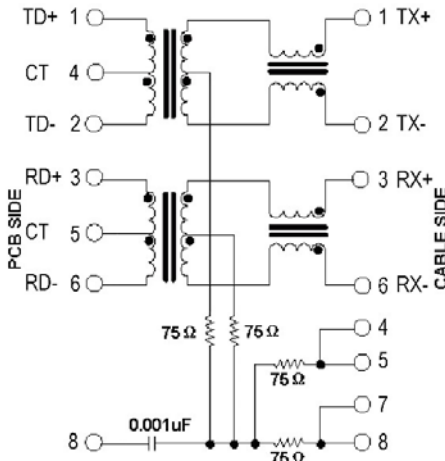
46F-1210



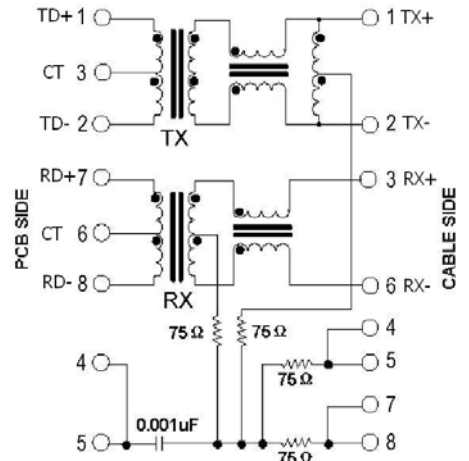
46F-1210A



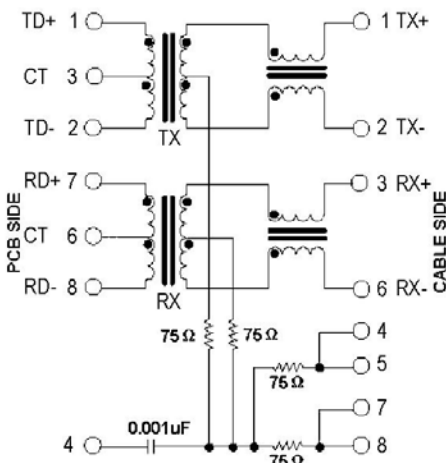
46F-1211



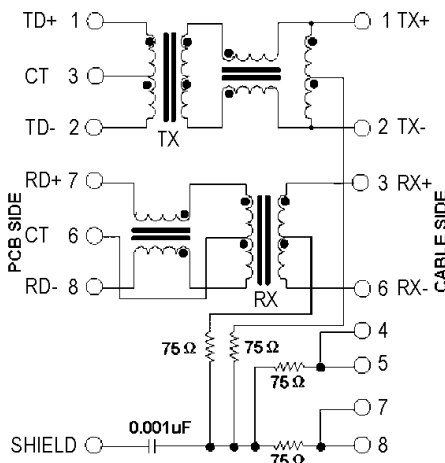
46F-1215



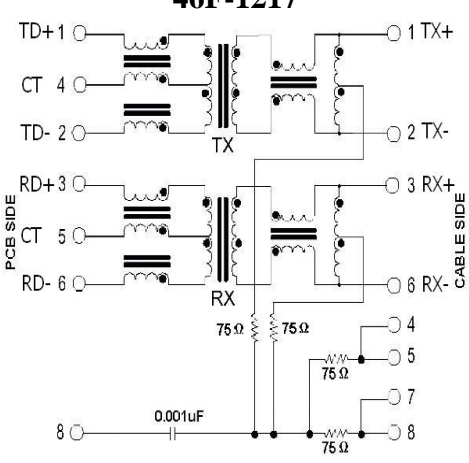
46F-1215B

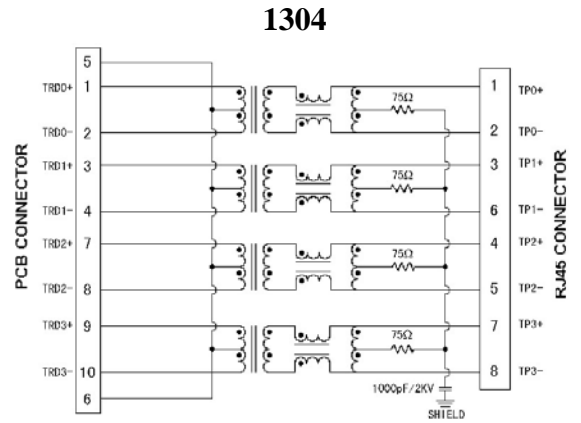
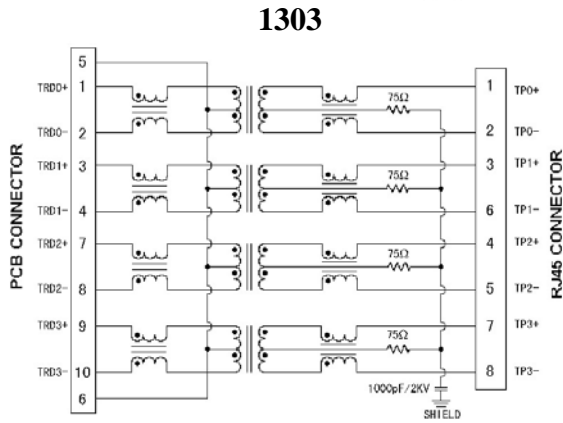
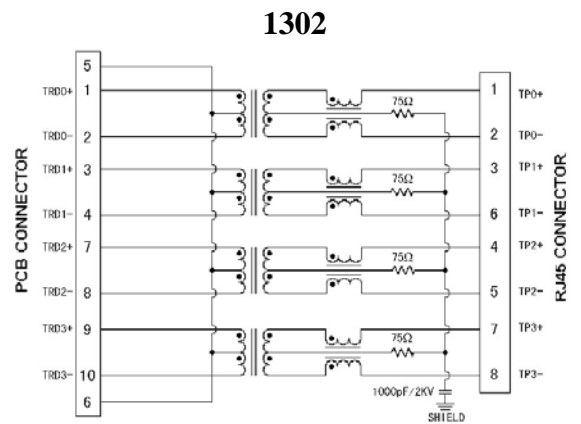
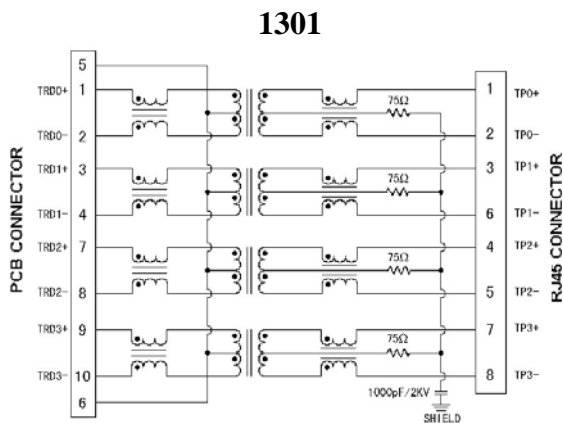
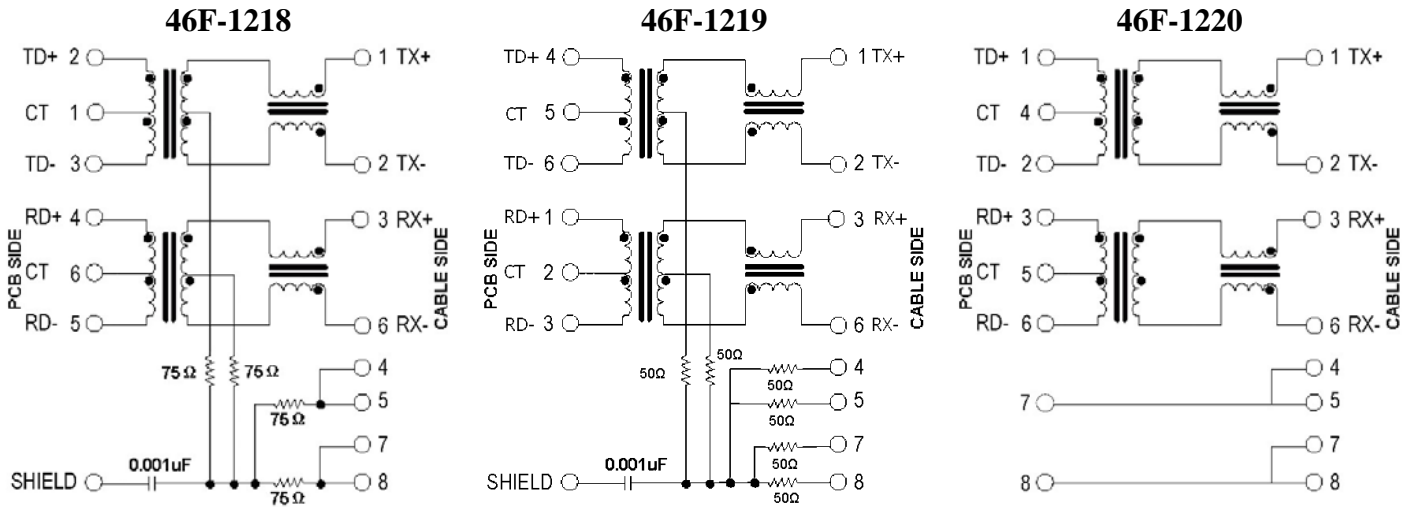


46F-1216



46F-1217



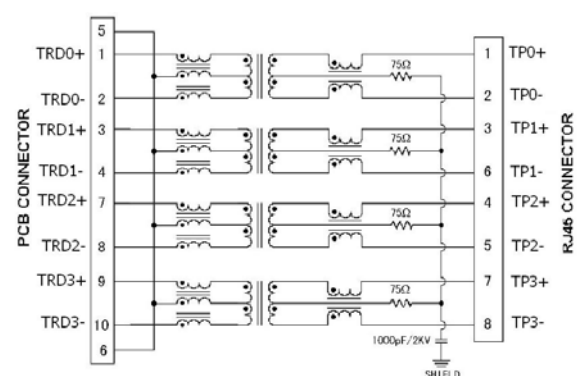
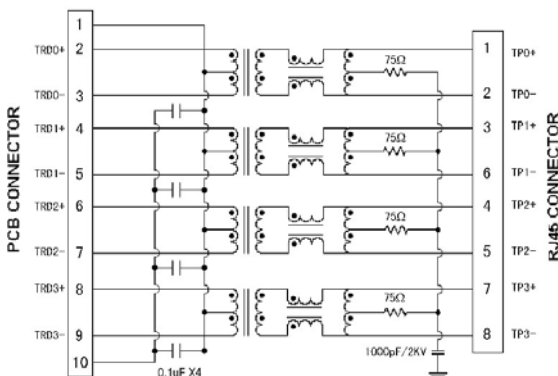
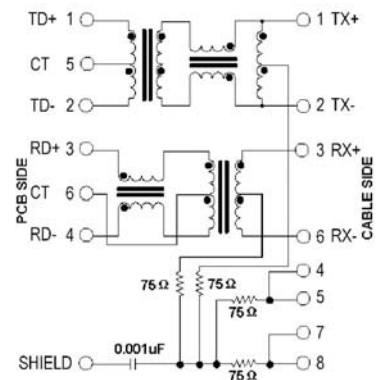
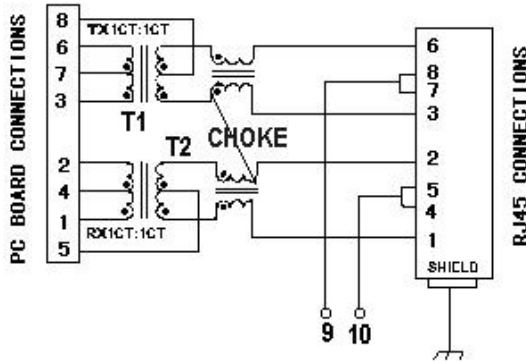
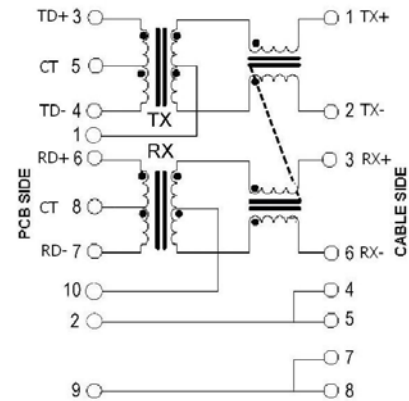
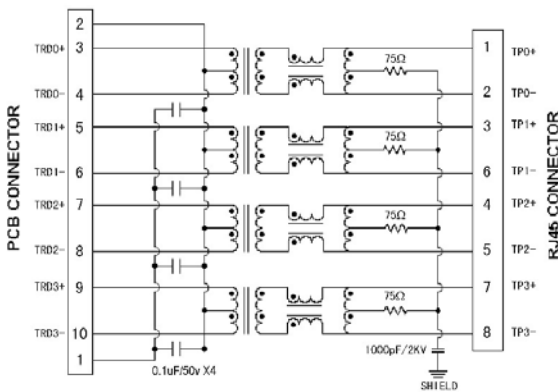
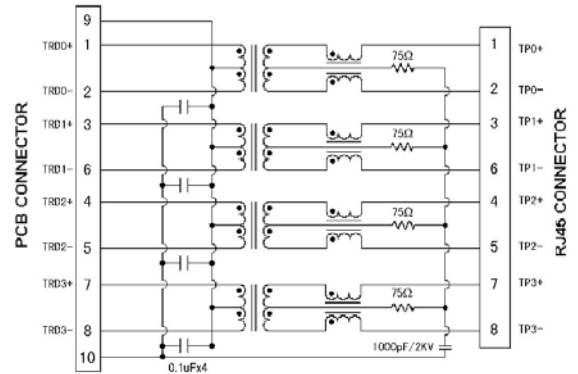
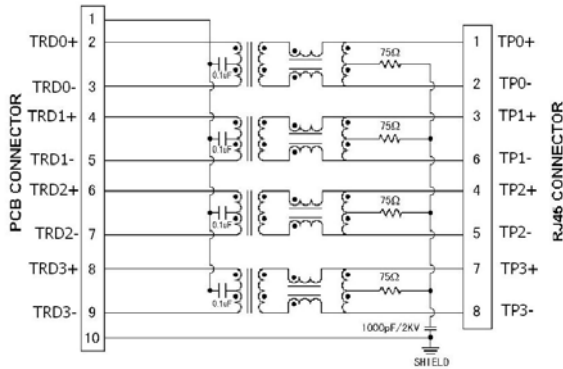


1305

1306

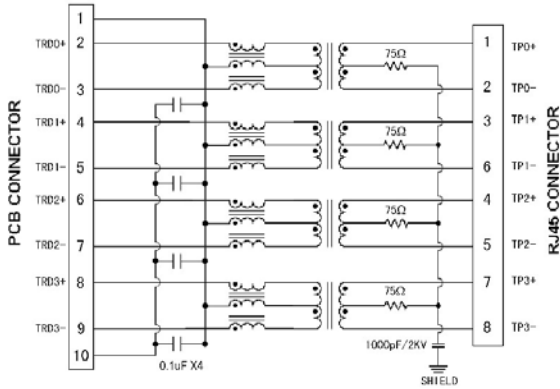


THROUGH HOLE TAB- UP RJ-45 JACK WITH 10/100/1000 MAGNETIC

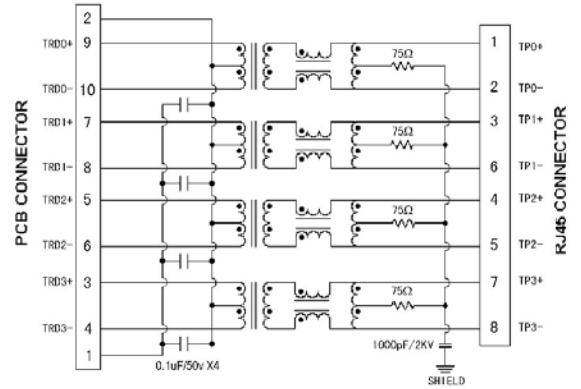




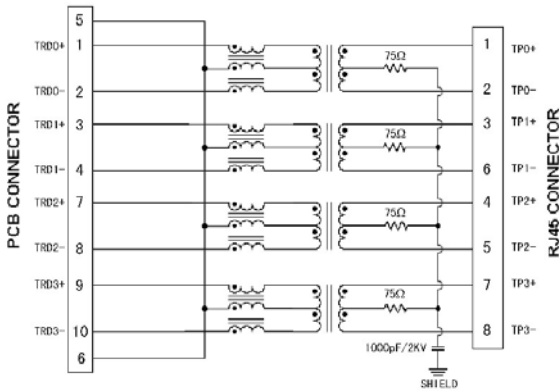
1316



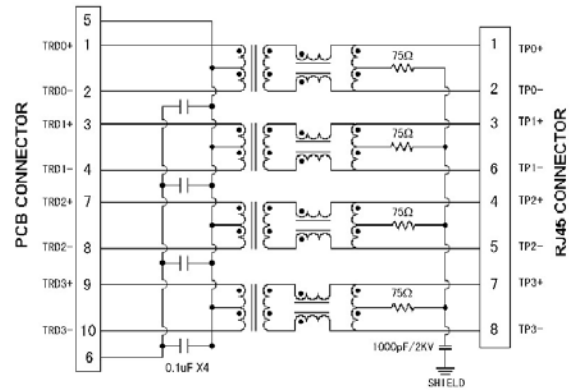
1318



1319



1320



1403

