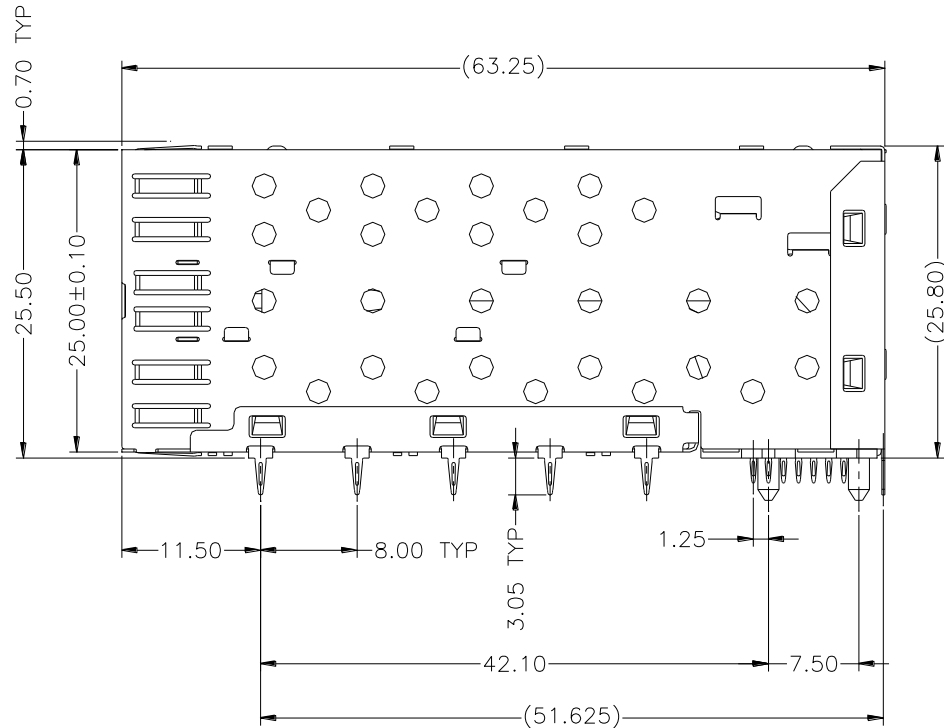
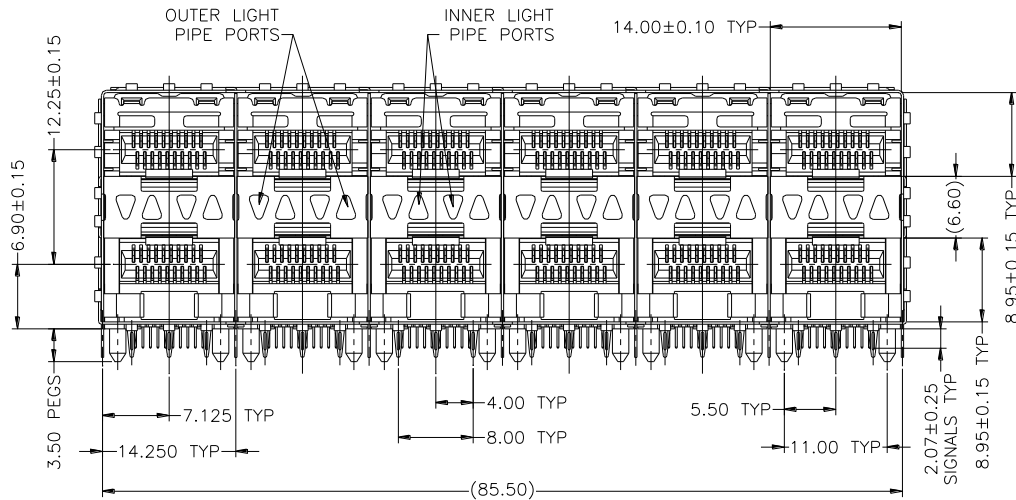


# Mechanical Dimensions



REV.	DESCRIPTION	DATE	DWN	AP'PD

## NOTES:

### MECHANICAL:

CAGES: NICKEL SILVER ALLOY, THICKNESS 0.25MM.  
 CONNECTOR HOUSING: GLASS FILLED PLASTIC, 94 V-0, COLOR: BLACK.  
 OVERMOLDED TERMINAL HOUSING: GLASS FILLED PLASTIC, 94 V-0, COLOR: BLACK.  
 LIGHTPIPES: POLYCARBONITE, 94 V-0, COLOR: CLEAR.  
 LIGHTPIPE HOLDER: GLASS FILLED PLASTIC, 94 V-0, COLOR: BLACK.  
 CLIP: STAINLESS STEEL.  
 TERMINAL: POSPHRR BRONZE.  
 GOLD PLATING FOR CONTACT AREA, THICKNESS SEE OPTION.  
 TIN PLATING FOR PRESS FIT AREA.  
 NICKEL PLATING AS UNDERLAYER FOR WHOLE TERMINAL.

### ELECTRICAL:

VOLTAGE: 30 VOLTS AC.  
 CURRENT: 0.50 A PER CONTACT.  
 CONTACT RESISTANCE: 50 MILLIOHMS MAX;  
 INSULATION RESISTANCE: 1000 MEGAOHMS MIN  
 AT 100 VDC FOR 1 MINUTE.  
 DIELECTRIC WITHSTANDING VOLTAGE: 300 VDC MIN;

### TEMPERATURE:

OPERATION: -40°C~+85°C  
 STORAGE: -40°C~+85°C

LIGHTPIPE PAD LAYOUT IS FOR LOW-PROFILE LED PACKAGE. LED SIZE(LxWxH): 2x1x0.4MM MAX.  
 RoHS COMPLIANCE.

YDS-SFC26AFTG	WITHOUT LIGHTPIPES	15u"
YDS-SFC26BFTG	INNER 2 PORTS	15u"
YDS-SFC26CFTG	OUTER 2 PORTS	15u"
YDS-SFC26DFTG	4 PORT LIGHTPIPES	15u"
PART NUMBER	LIGHT PIPES	GOLD PLATING

MILLIMETRE

X.XXX ±0.10

X.XX ±0.20

X.X ±0.30

X



元册科技股份有限公司

YUAN DEAN SCIENTIFIC CO., LTD.

TITLE

2X6 SFP CAGE AND CONNECTOR  
W/LIGHT PIPE OPTION

P/N

YDS-SFC26xFTG

REV.

1.0

PAGE NO

1-4

DATE

2015/4/1

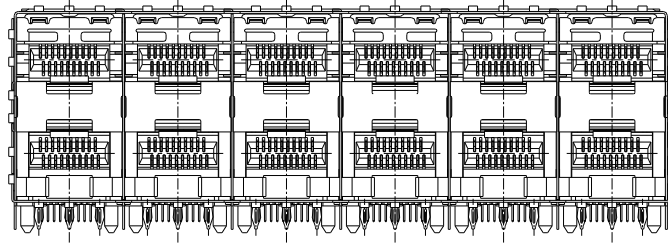
AP'PD

Hsu

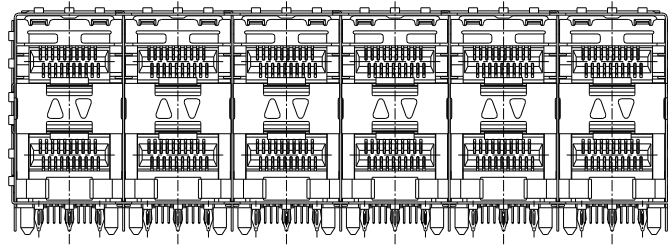
DWN

Chen Chuan Yu

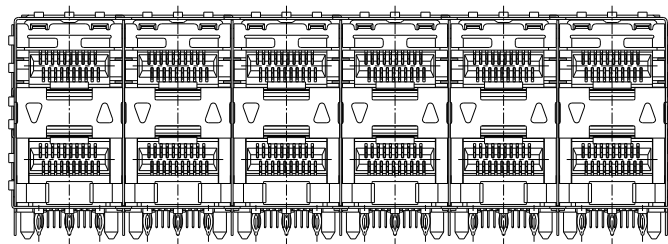
REV.	DESCRIPTION	DATE	DWN	AP'PD



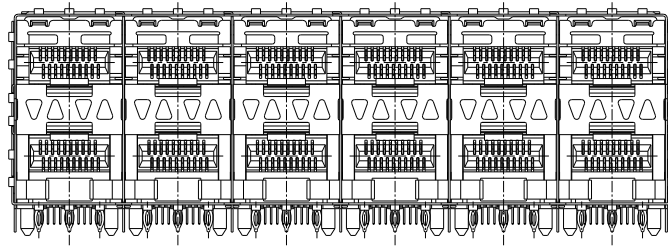
YDS-SFC26AFTG WITHOUT LIGHTPIPES



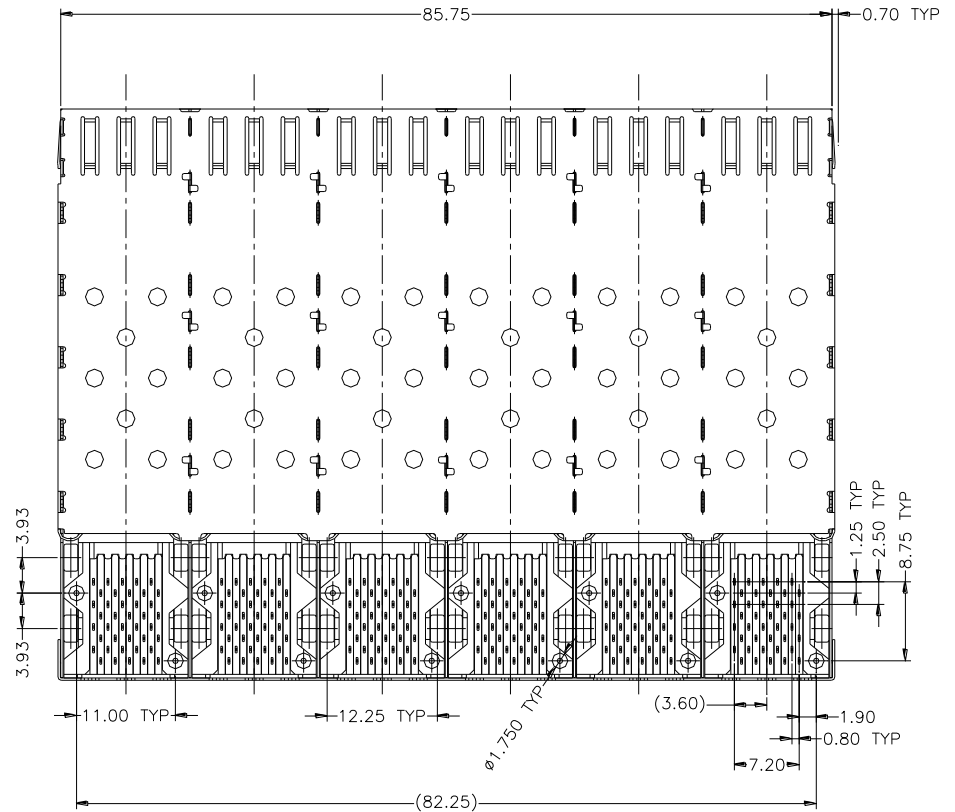
YDS-SFC26BFTG WITH INNER LIGHTPIPES



YDS-SFC26CFTG WITH OUTER LIGHTPIPES

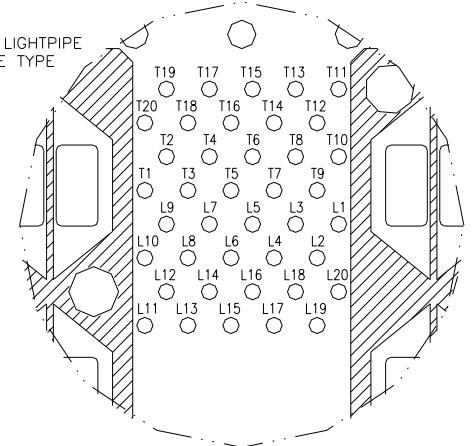
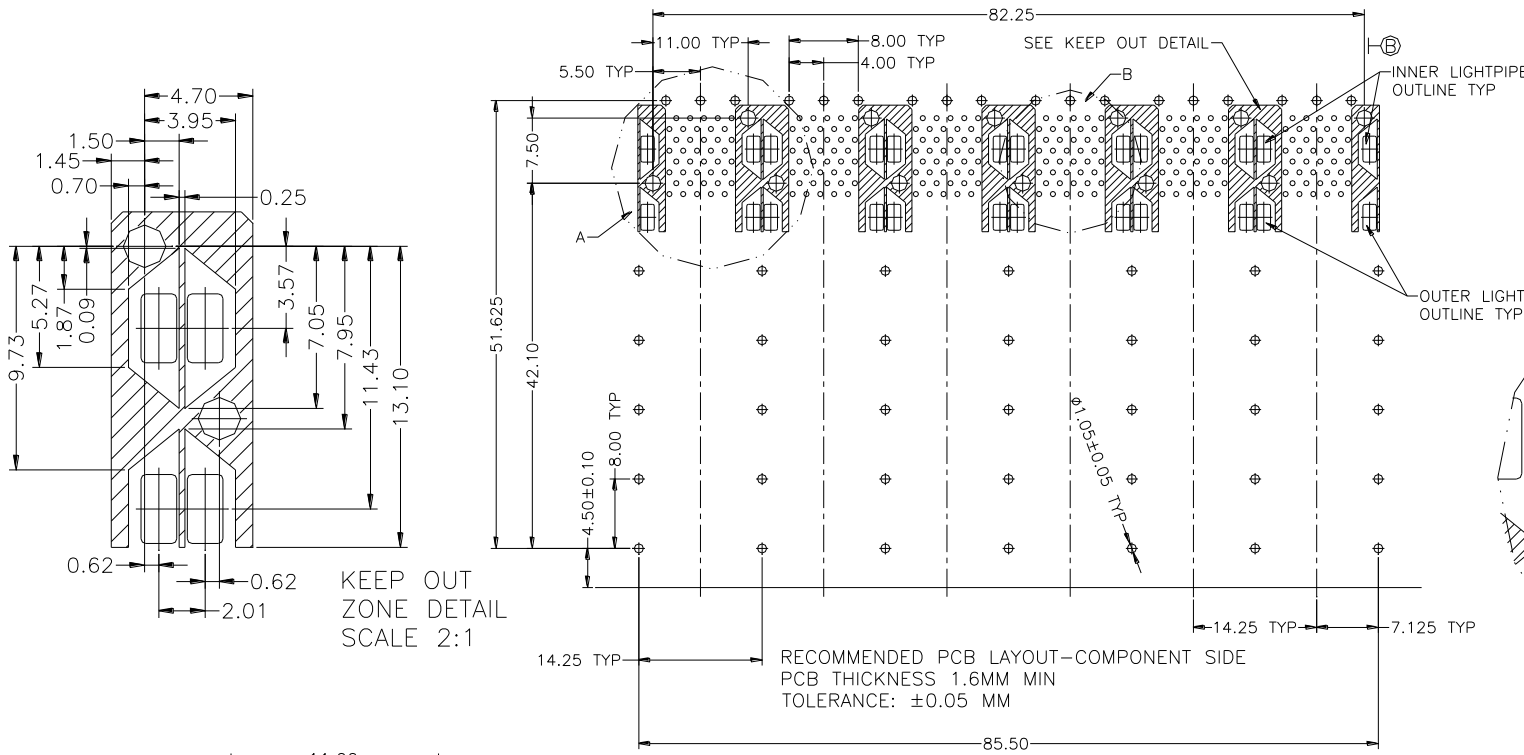


YDS-SFC26DFTG WITH INNER/OUTER LIGHTPIPES

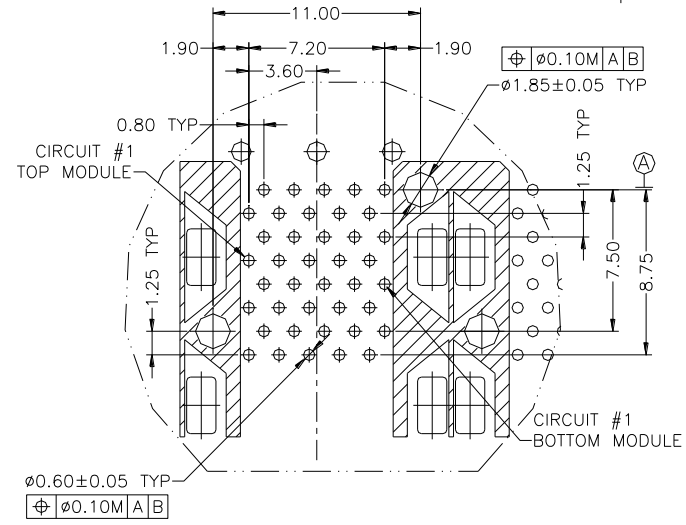


<p>RoHS Compliant</p>	<p><b>元册科技股份有限公司</b></p> <p>YUAN DEAN SCIENTIFIC CO., LTD.</p>	
	<p><b>TITLE</b></p> <p><b>2X6 SFP CAGE AND CONNECTOR W/LIGHT PIPE OPTION</b></p>	
	<p><b>P/N</b></p> <p><b>YDS-SFC26xFTG</b></p>	<p><b>REV.</b></p> <p><b>1.0</b></p>
	<p><b>PAGE NO</b></p> <p><b>2-4</b></p>	<p><b>DATE</b></p> <p><b>2015/4/1</b></p>
	<p><b>AP'PD</b></p> <p><b>Hsu</b></p>	<p><b>DWN</b></p> <p>Chen Chuan Yu</p>

REV.	DESCRIPTION	DATE	DWN	AP'PD



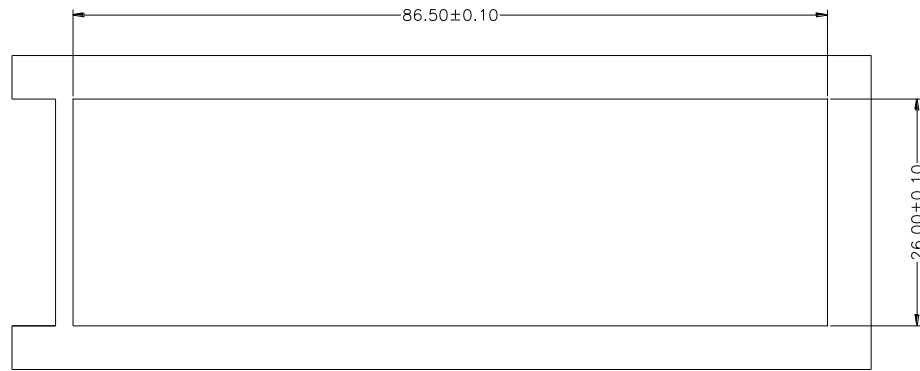
CONNECTOR PIN-OUT DETAIL  
COMPONENT SIDE OF BOARD  
DETAIL B  
SCALE: 2:1



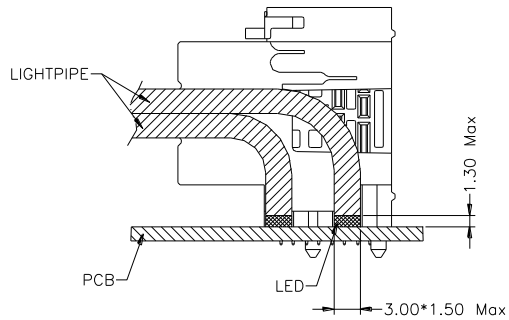
SCALE: 2:1

	 <b>元册科技股份有限公司</b> YUAN DEAN SCIENTIFIC CO., LTD.			
	<b>TITLE</b> 2X6 SFP CAGE AND CONNECTOR W/LIGHT PIPE OPTION			
	<b>P/N</b>	<b>YDS-SFC26xFTG</b>	<b>REV.</b>	<b>1.0</b>
	<b>PAGE NO</b>	<b>3-4</b>	<b>DATE</b>	<b>2015/4/1</b>
	<b>AP'PD</b>	<b>Hsu</b>	<b>DWN</b>	Chen Chuan Yu

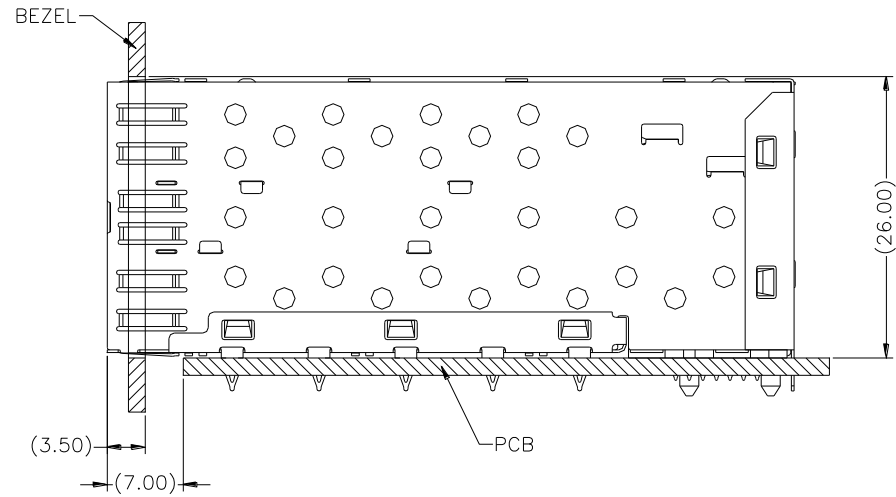
REV.	DESCRIPTION	DATE	DWN	AP'PD



RECOMMENDED BEZEL CUT-OUT CENTER DETAIL  
BEZEL THICKNESS 0.8~2.6MM



RECOMMENDED LED DIMENSION



	<b>元册科技股份有限公司</b> YUAN DEAN SCIENTIFIC CO., LTD.			
	TITLE		<b>2X6 SFP CAGE AND CONNECTOR W/LIGHT PIPE OPTION</b>	
	P/N	<b>YDS-SFC26xFTG</b>	REV.	<b>1.0</b>
	PAGE NO	<b>4-4</b>	DATE	<b>2015/4/1</b>
	AP'PD	<b>Hsu</b>	DWN	Chen Chuan Yu