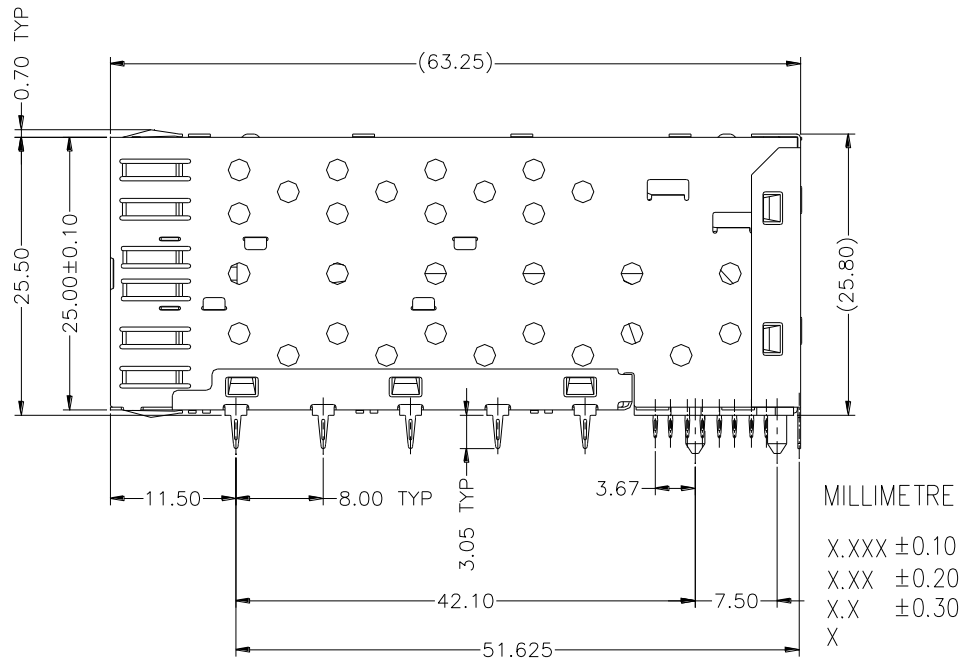
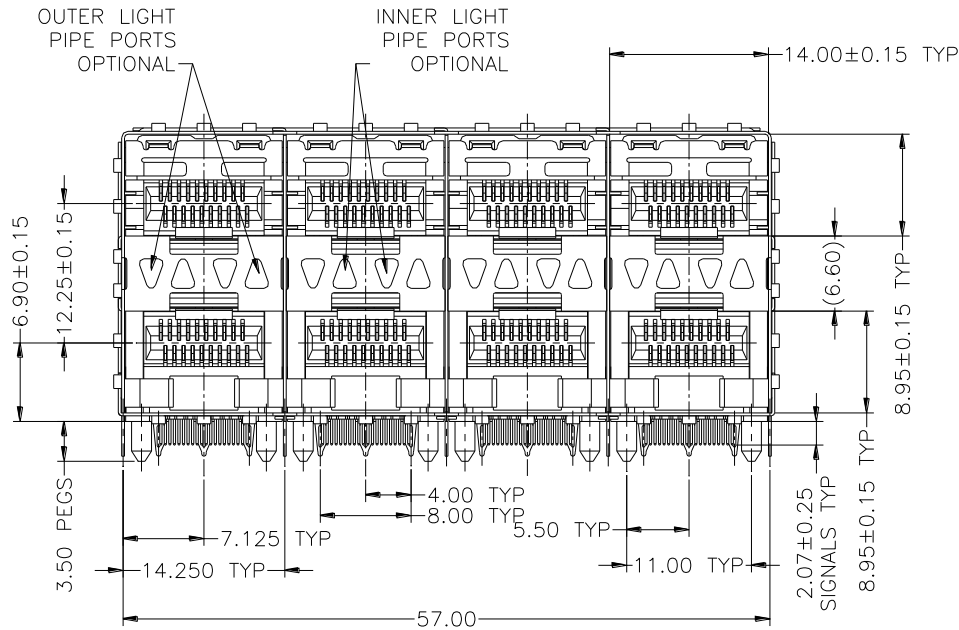


# Mechanical Dimensions

REV.	DESCRIPTION	DATE	DWN	AP'PD



## NOTES:

### MECHANICAL:

- CAGES: NICKEL SILVER ALLOY, THICKNESS 0.25MM.
- CONNECTOR HOUSING: GLASS FILLED PLASTIC, 94 V-0, COLOR: BLACK.
- OVERMOLDED TERMINAL HOUSING: GLASS FILLED PLASTIC, 94 V-0, COLOR: BLACK.
- LIGHTPIPES: POLYCARBONITE, 94 V-0, COLOR: CLEAR.
- LIGHTPIPE HOLDER: GLASS FILLED PLASTIC, 94 V-0, COLOR: BLACK.
- CLIP: STAINLESS STEEL.
- TERMINAL: POSPHRR BRONZE.
- GOLD PLATING FOR CONTACT AREA, THICKNESS SEE OPTION.
- TIN PLATING FOR PRESS FIT AREA.
- NICKEL PLATING AS UNDERLAYER FOR WHOLE TERMINAL.

### ELECTRICAL:

- VOLTAGE: 120 VOLTS AC.
- CURRENT: SIGNAL APPLICATION ONLY.
- DIFFERENTIAL IMPEDANCE: 100 OHMS.

### TEMPERATURE:

- OPERATION: -40°C~+85°C
- STORAGE: -40°C~+85°C

LIGHTPIPE PAD LAYOUT IS FOR LOW-PROFILE LED PACKAGE. LED SIZE(LxWxH): 2x1x0.4MM MAX. RoHS COMPLIANCE.



元册科技股份有限公司

YUAN DEAN SCIENTIFIC CO., LTD.

TITLE

2X4 SFP CAGE AND CONNECTOR  
W/LIGHT PIPE OPTION

P/N

YDS-SFC24LxFTG

REV.

1.0

PAGE NO

1-4

DATE

2015-4-7

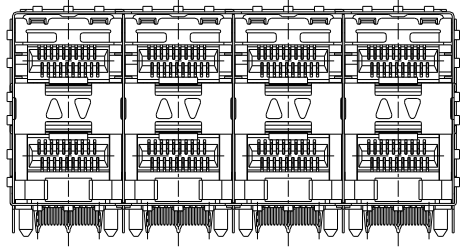
AP'PD

Hsu

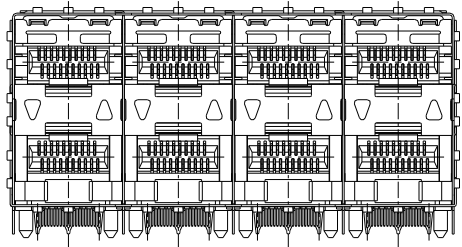
DWN

Chen Chuan Yu

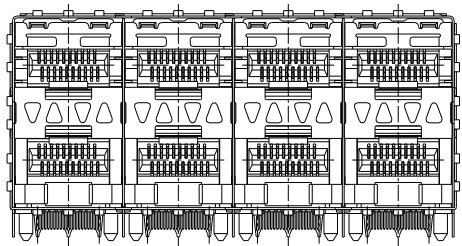
REV.	DESCRIPTION	DATE	DWN	AP'PD



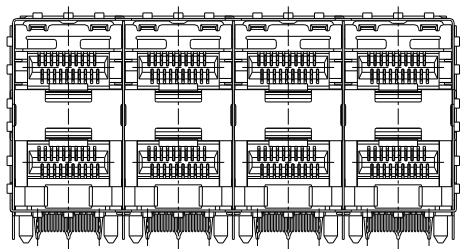
YDS-SFC24L1FTG WITH INNER LIGHTPIPES



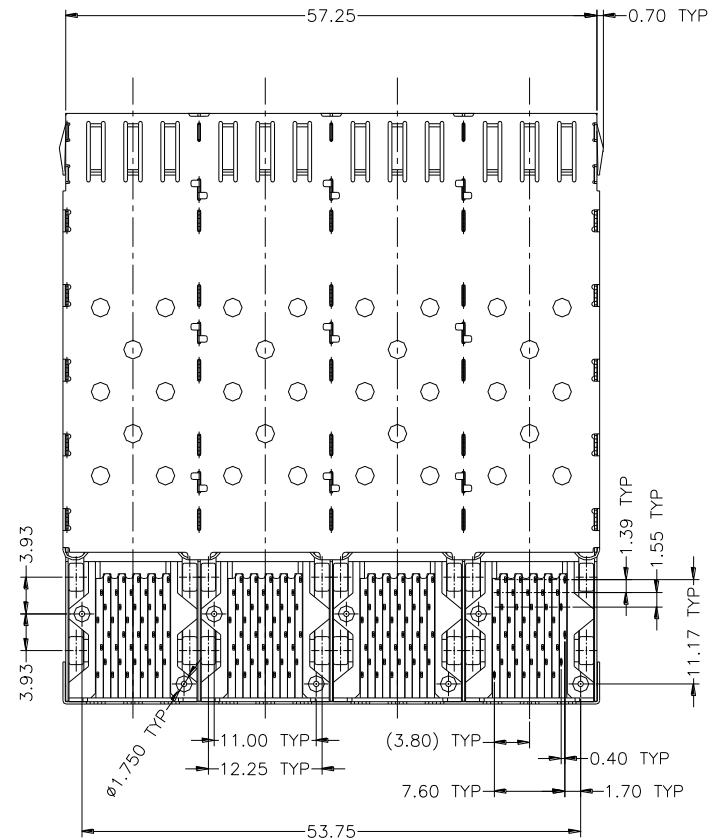
YDS-SFC24L2FTG WITH OUTER LIGHTPIPES



YDS-SFC24L3FTG WITH INNER/OUTER LIGHTPIPES



YDS-SFC24LFTG WITHOUT LIGHTPIPES



元册科技股份有限公司

YUAN DEAN SCIENTIFIC CO., LTD.

TITLE

2X4 SFP CAGE AND CONNECTOR  
W/LIGHT PIPE OPTION

P/N

YDS-SFC24LxFTG

REV.

1.0

PAGE NO

2-4

DATE

2015-4-7

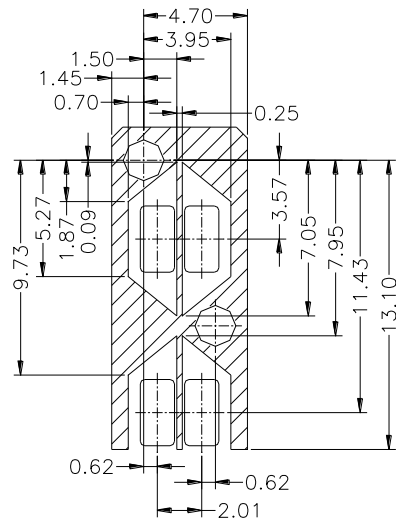
AP'PD

Hsu

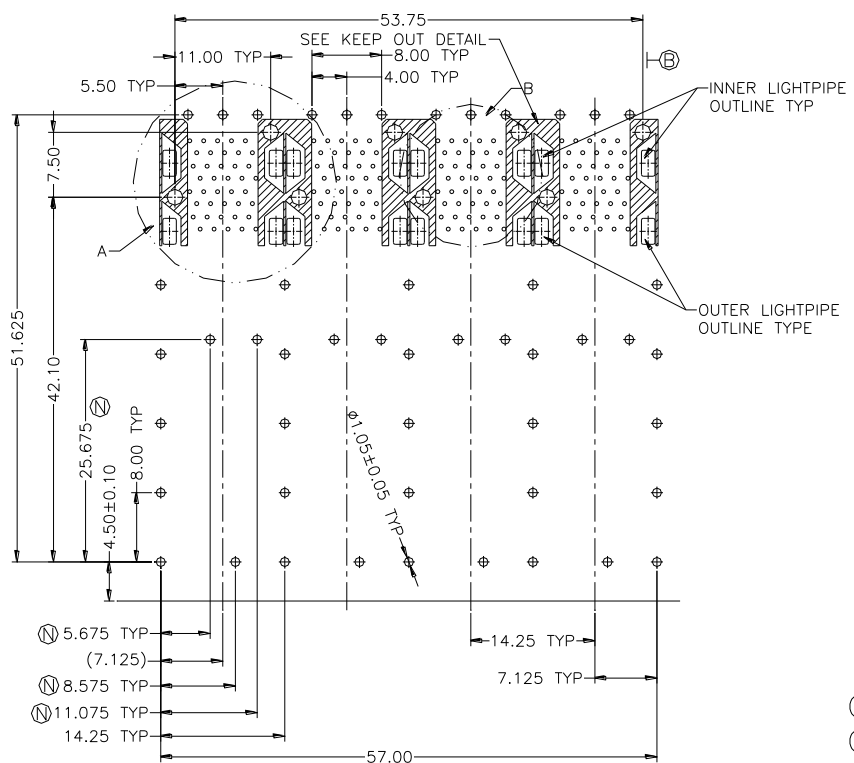
DWN

Chen Chuan Yu

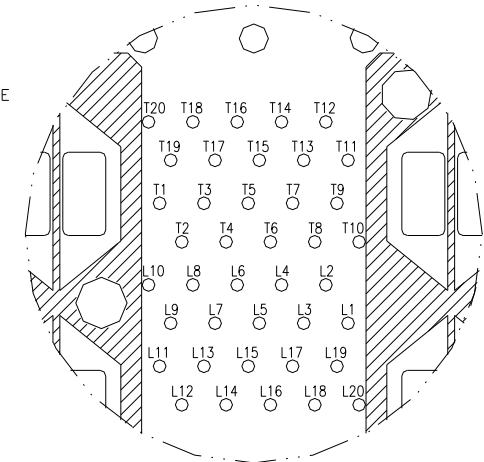
REV.	DESCRIPTION	DATE	DWN	AP'PD



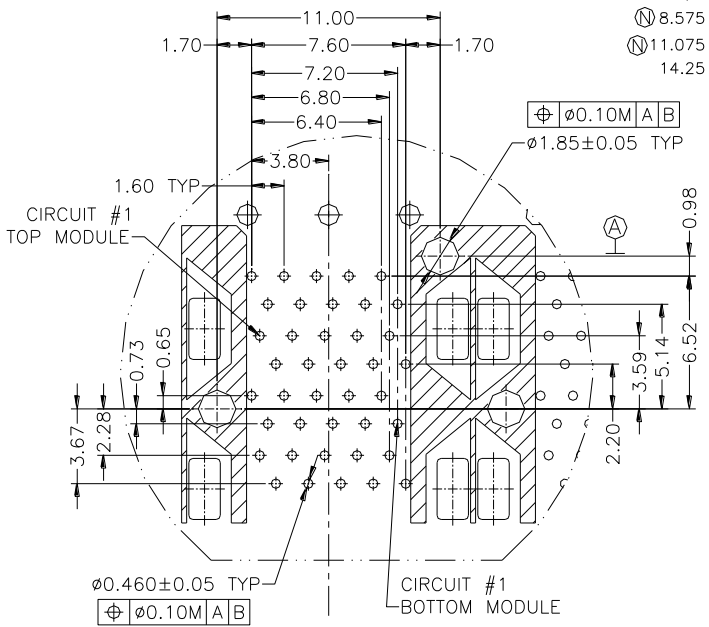
KEEP OUT ZONE DETAIL  
SCALF 2:1



RECOMMENDED PCB LAYOUT-COMPONENT SIDE  
PCB THICKNESS 1.6MM MIN  
TOLERANCE: ±0.05 MM



CONNECTOR PIN-OUT DETAIL  
COMPONENT SIDE OF BOARD  
DETAIL B  
SCALF: 2:1

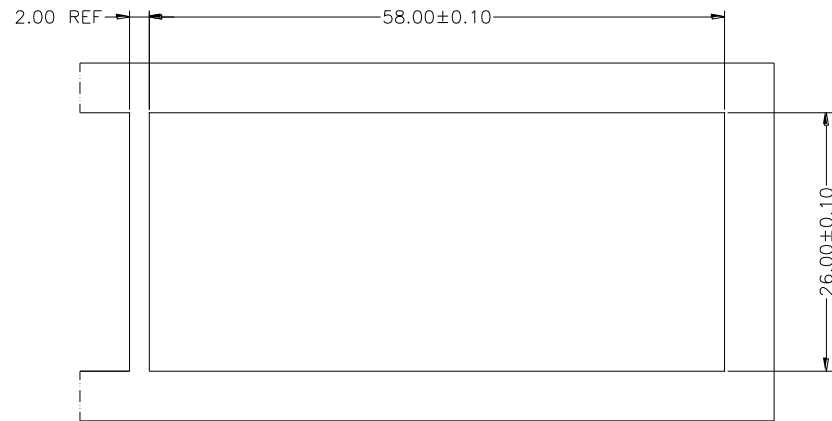


DETAIL A  
SCALE: 2:1

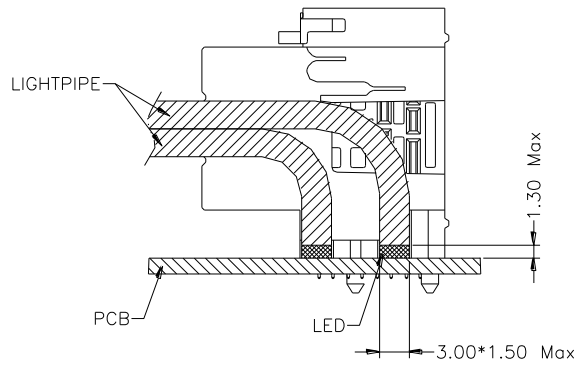
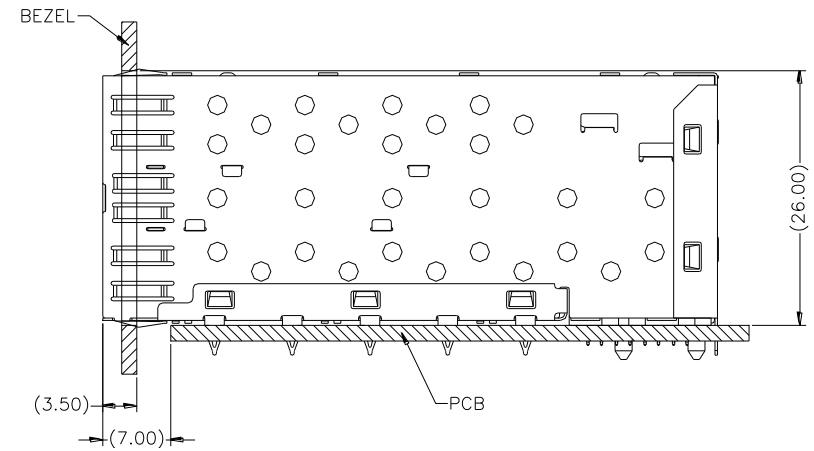
NOTE FOR Ⓝ:  
THE CURVER TAILS THAT GO INTO THE HOLES LOCATED BY THESE DIMENSIONS ARE BEING ELIMINATED. TO ACCOMMODATE THIS CONVERSION, IT IS RECOMMENDED THAT BOARDS DESIGNED TO THIS PRINT REVISION INCLUDE THESE HOLES.

	<b>元册科技股份有限公司</b> YUAN DEAN SCIENTIFIC CO., LTD.			
	<b>TITLE</b>			
	<b>2X4 SFP CAGE AND CONNECTOR W/LIGHT PIPE OPTION</b>			
	<b>P/N</b>	<b>YDS-SFC24LxFTG</b>	<b>REV.</b>	<b>1.0</b>
	<b>PAGE NO</b>	<b>3-4</b>	<b>DATE</b>	<b>2015-4-7</b>
<b>AP'PD</b>	<b>Hsu</b>	<b>DWN</b>	Chen Chuan Yu	

REV.	DESCRIPTION	DATE	DWN	AP'PD



RECOMMENDED BEZEL CUT-OUT CENTER DETAIL  
BEZEL THICKNESS 0.8~2.6MM



RECOMMENDED LED DIMENSION

	<b>元册科技股份有限公司</b> YUAN DEAN SCIENTIFIC CO., LTD.			
	<b>TITLE</b> <b>2X4 SFP CAGE AND CONNECTOR W/LIGHT PIPE OPTION</b>			
	<b>P/N</b>	<b>YDS-SFC24LxFTG</b>	<b>REV.</b>	<b>1.0</b>
	<b>PAGE NO</b>	<b>4-4</b>	<b>DATE</b>	<b>2015-4-7</b>
	<b>AP'PD</b>	<b>Hsu</b>	<b>DWN</b>	Chen Chuan Yu